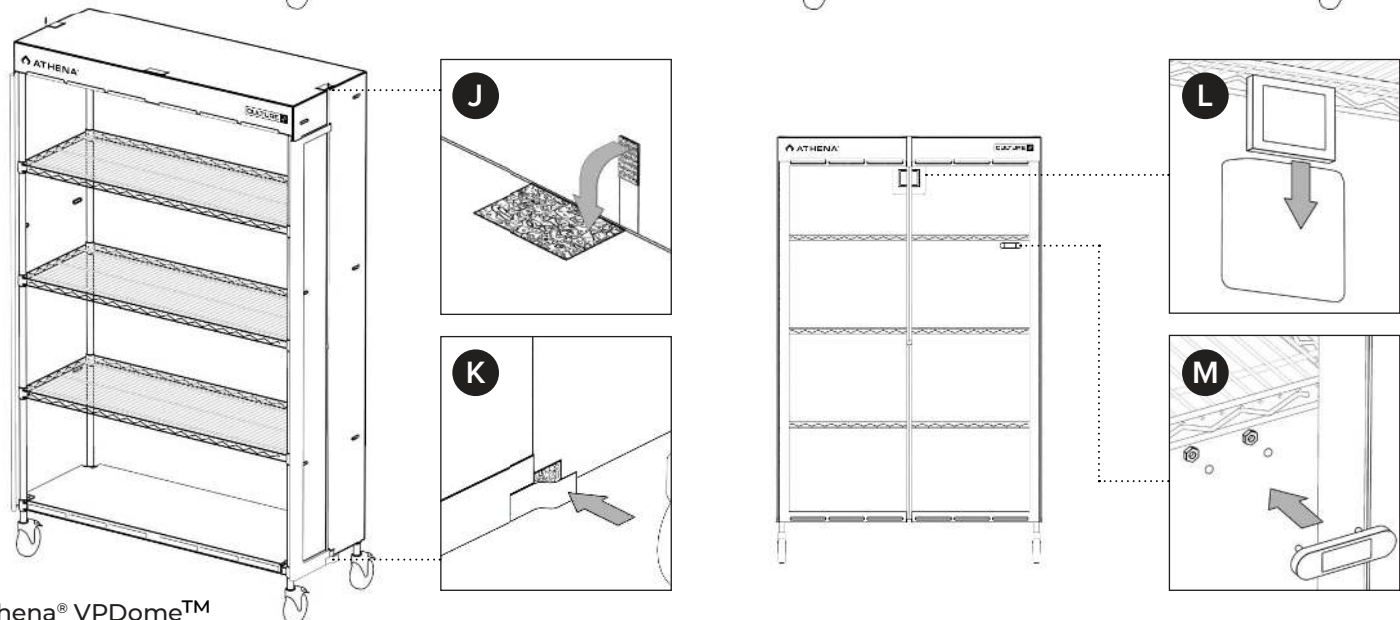
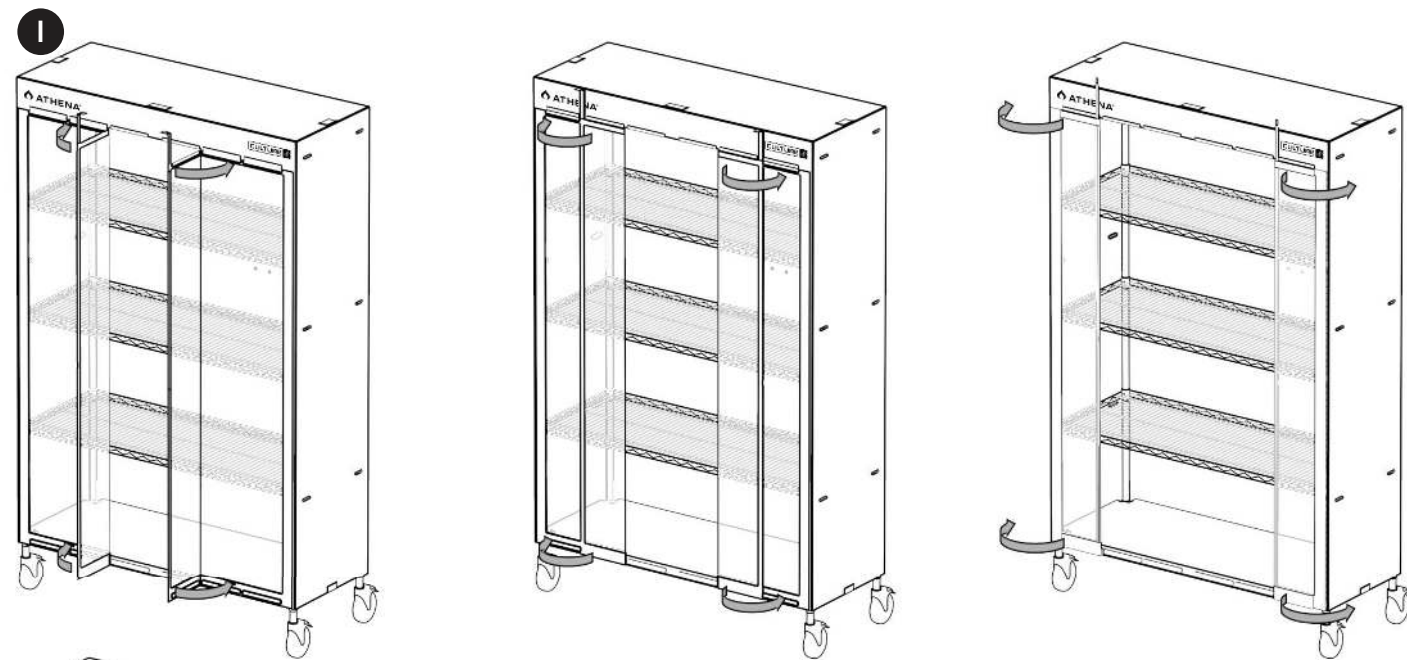
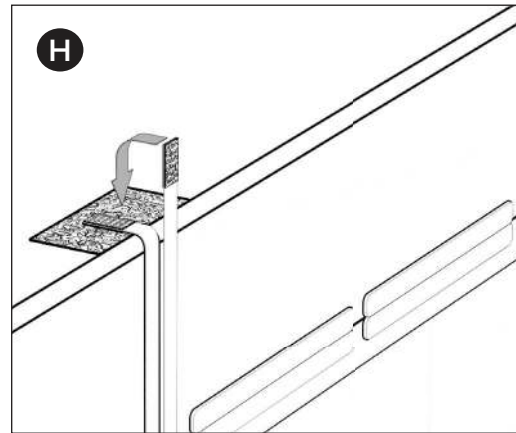


2. Door Instructions



1. Unfold each door and seal the **VPDome™** completely using the magnetic strips and velcro straps attached at the top corner of the doors (**FIG H**).
2. To keep the **VPDome™** open, the doors can be folded in thirds (**FIG I**) and attached to the side of the rack with the velcro straps at the top (**FIG J**) and bottom (**FIG K**).
3. Pull any connections needed for power through the pre-cut slit on the sides of the cover.
4. A thermometer/hygrometer can be placed in the back pocket inside the cover (**FIG L**) or a two pronged dome thermometer/hygrometer can be installed through the two pre-cut holes on the right door (**FIG M**).



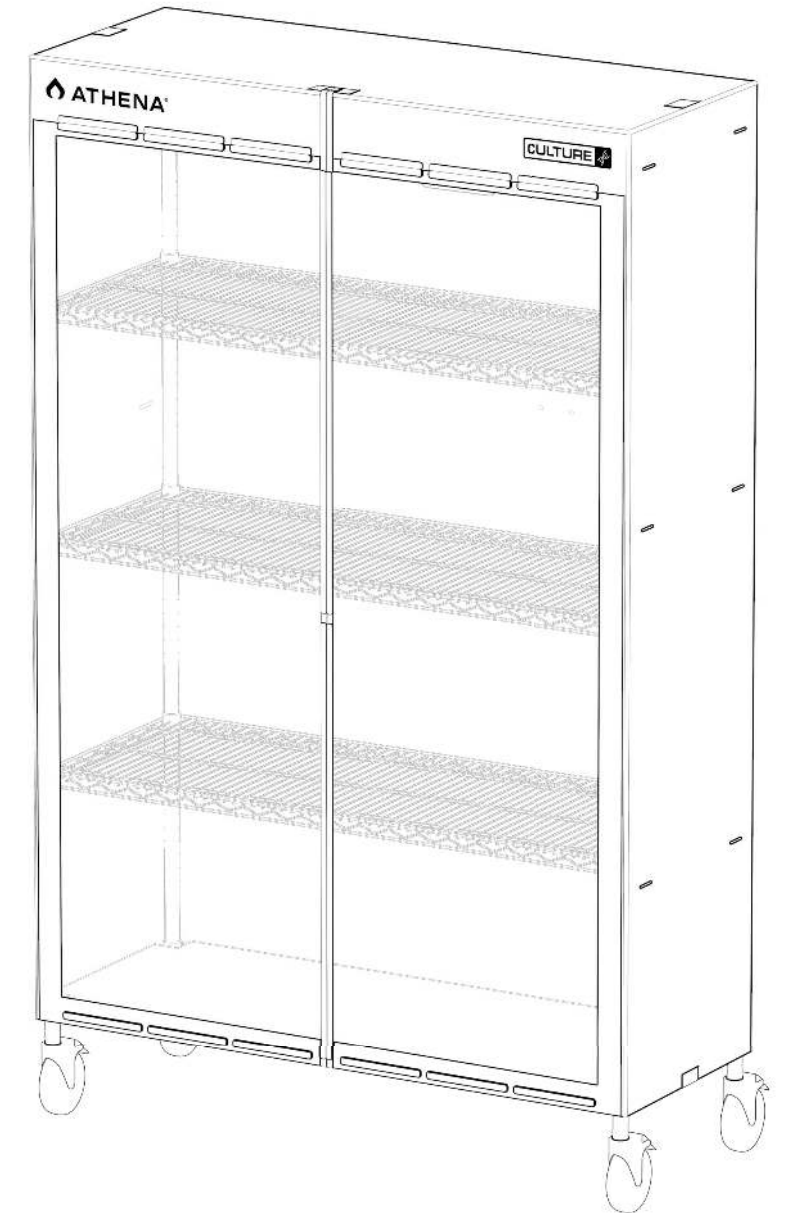
Athena® VPDome™



VPDOME™

Rack Cover for Cloning

User Manual



1-YEAR
MANUFACTURER
WARRANTY



READ ALL INSTRUCTIONS BEFORE USING, OR SERVICING, THIS EQUIPMENT. KEEP THIS MANUAL IN A LOCATION THAT IS READILY AVAILABLE TO USERS AND SERVICE TECHNICIANS.

English (Original Instructions)

DISCLAIMER OF WARRANTIES: To the extent consistent with applicable law, Athena Ag, Inc. makes no other warranties, express or implied, of merchantability or of fitness for a particular purpose or otherwise, that extend beyond the statements made on the product's label. No agent of Athena Ag, Inc. is authorized to make any warranties beyond those contained herein or to modify the warranties contained herein. To the extent consistent with applicable law, Athena Ag, Inc. disclaims any liability whatsoever for special, incidental, or consequential damages resulting from the use or handling of this product.

LIMITATIONS OF LIABILITY: To the extent consistent with applicable law, the exclusive remedy of the user or buyer for any and all losses, injuries, or damages resulting from the use or handling of this product, whether in contract, warranty, tort, negligence, strict liability or otherwise, shall not exceed the purchase price paid, or at Athena Ag Inc.'s election, the replacement of product.

1. Installation Instructions

1. Set up a standard metal wire rack with the proper LED clone lights and connections.
Note: Use LED clone lights only. Not compatible with heat-emitting lights such as T5 fluorescent.
2. Ensure the shelving is 70 inches tall, 48 inches wide, and 18 inches in depth.
Note: The height measurement is taken from the lower end of the bottom shelf to the top end of the top shelf (**FIG A**).
3. Place the base panel onto the top of the bottom shelf (**FIG B**).
Note: The magnetic strip on the base panel indicates where the front doors will be facing.
Warning: Do not bend the magnetic strips.
4. Wrap all four sides of the base panel over the edge of the wire shelf and connect them to the bottom side of the base panel itself using the velcro strips (**FIG C**).
Note: Press the velcro strips together firmly to ensure a seal through the gaps in the metal wire shelving (**FIG D**).
5. Unfold the cover and open the magnetic strip doors.
6. Wrap the right side over the top of the rack, setting it firmly onto the two right corners (**FIG E**).
7. Follow over to the other side wrapping the cover completely over the rack (**FIG F**).
8. Seal the bottom of the **VPDome™** cover to the base panel using the velcro strips along the sides and back (**FIG G**).

Cleaning Instructions:

The **VPDome™** should be cleaned between every cycle of clones to prevent pest and pathogen growth. Use a solution of Athena Reset at 1 oz per gallon of water to spray all sides of the **VPDome™**. Scrub all treated sides with a cleaning pad and allow to dry.

